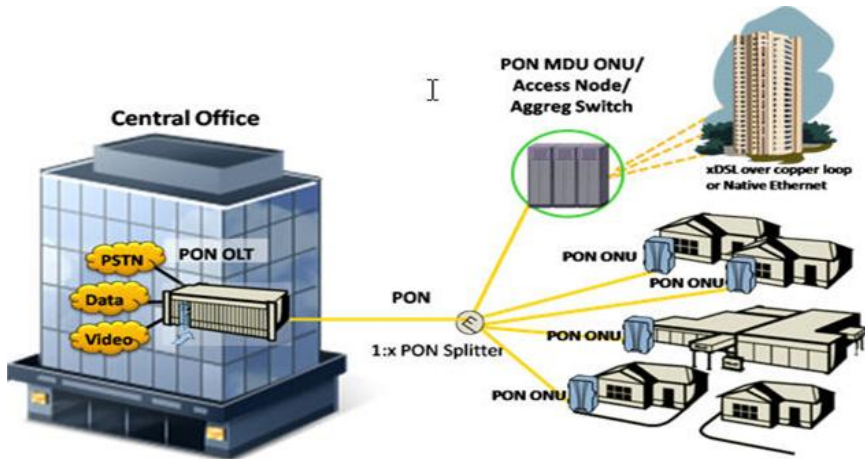




**The Programmable
Networks™**

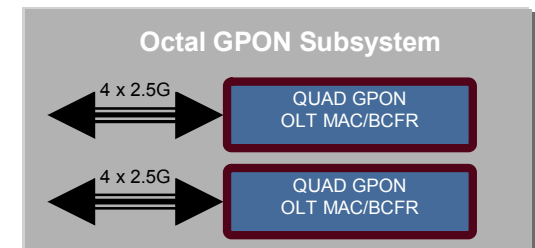
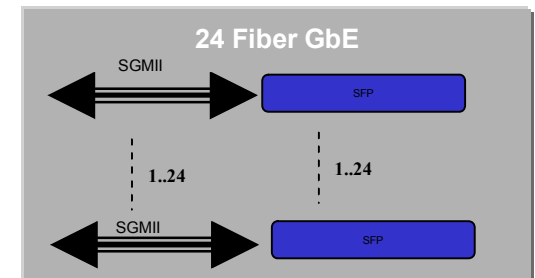
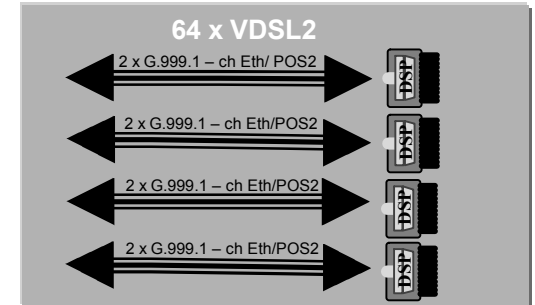
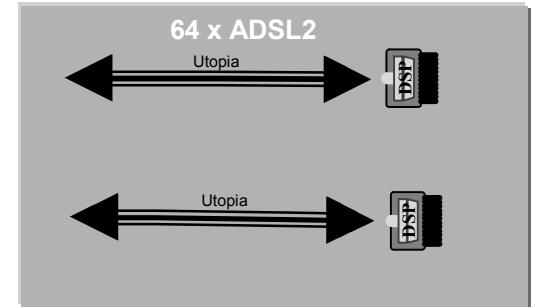
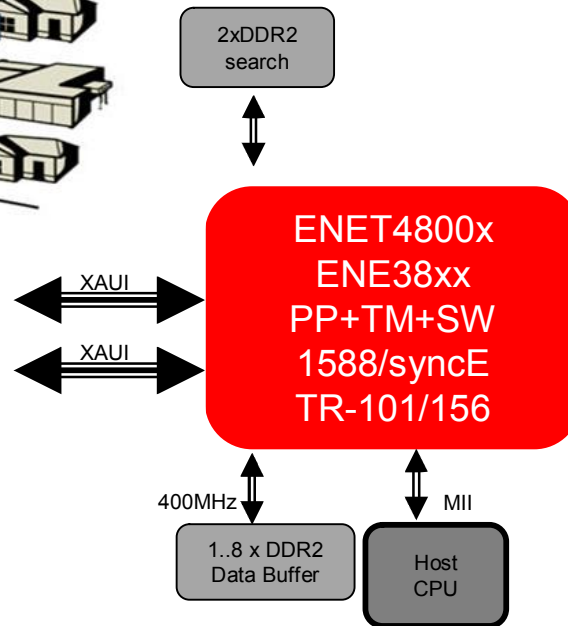
ETHERNITY
NETWORKS

MSAN (DSL, Ethernet, and PON)



One ENET SW and RTL serves all line cards

- Packet Processing
- TM
- Ethernet Switch
- TR-156 Compliant
- OAM/CFM
- 1588 end To End
- Sync E



ENET Solution Summary

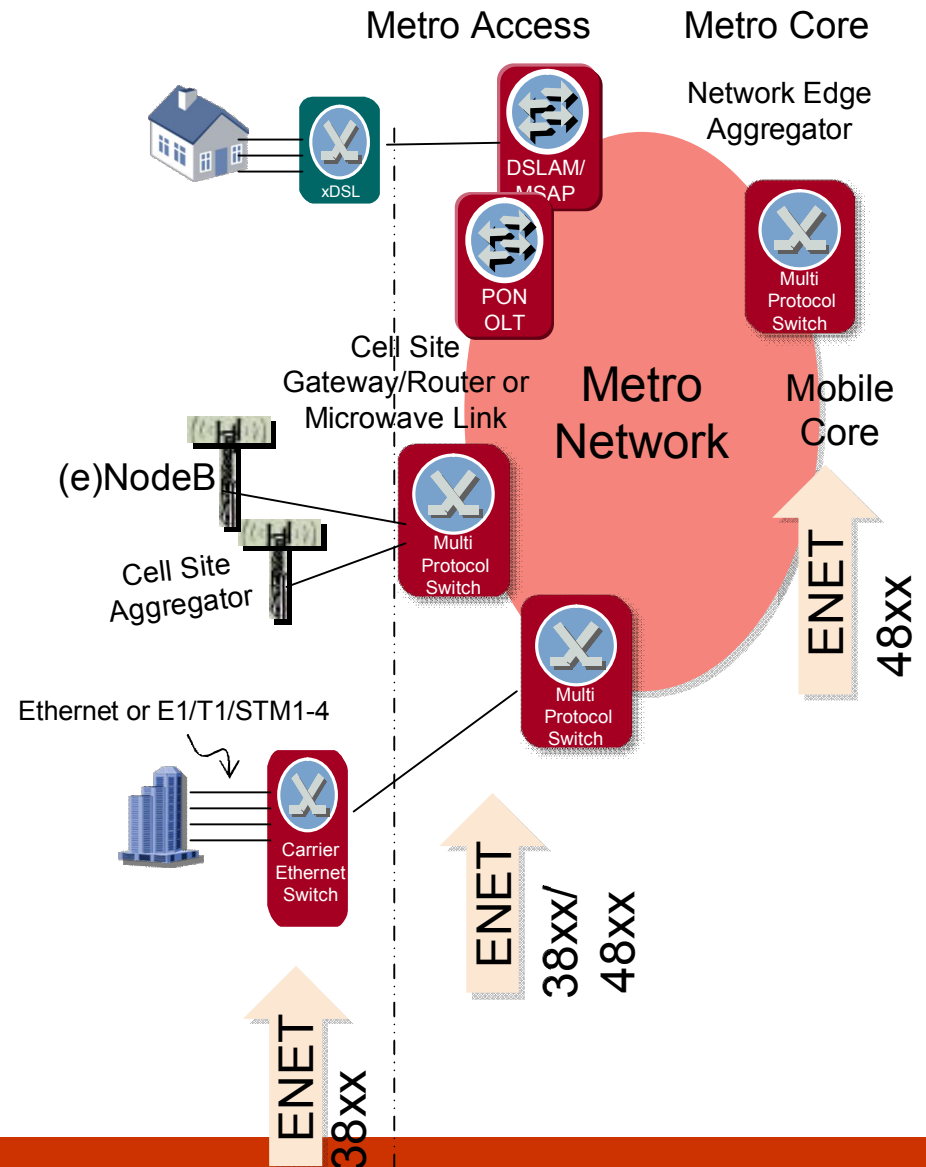


ENET Value Proposition

- ◆ Based on off the shelf FPGAs → **No end of life**
- ◆ **Single Platform** for all cards
- ◆ Enables customer **solution's differentiation**
- ◆ Scalable solution and flexible interface options
- ◆ **Extended flexibility** and **field upgradability**
- ◆ Protocol Independent deterministic performance
- ◆ #1 Fully featured Ethernet OAM solution on the market today
- ◆ Open Platform to enable
 - Customized functions
 - API interworking with 3rd Parties SDK

KEY FEATURES

Hierarchical Traffic Management
 Intelligent Packet Processing / Search Engine
 (T-)MPLS, PBB-TE/PBB
 CGE OAM per Y.1731 & 802.1ag
 PWE3
 TR-101, TR-156 for Broadband Access
 Ethernet bonding, IMA, MLPPP
 1588 v2 and SyncE ready



48 - VDSL Ports Line Card 6 x G.999.1 Channelized Ethernet

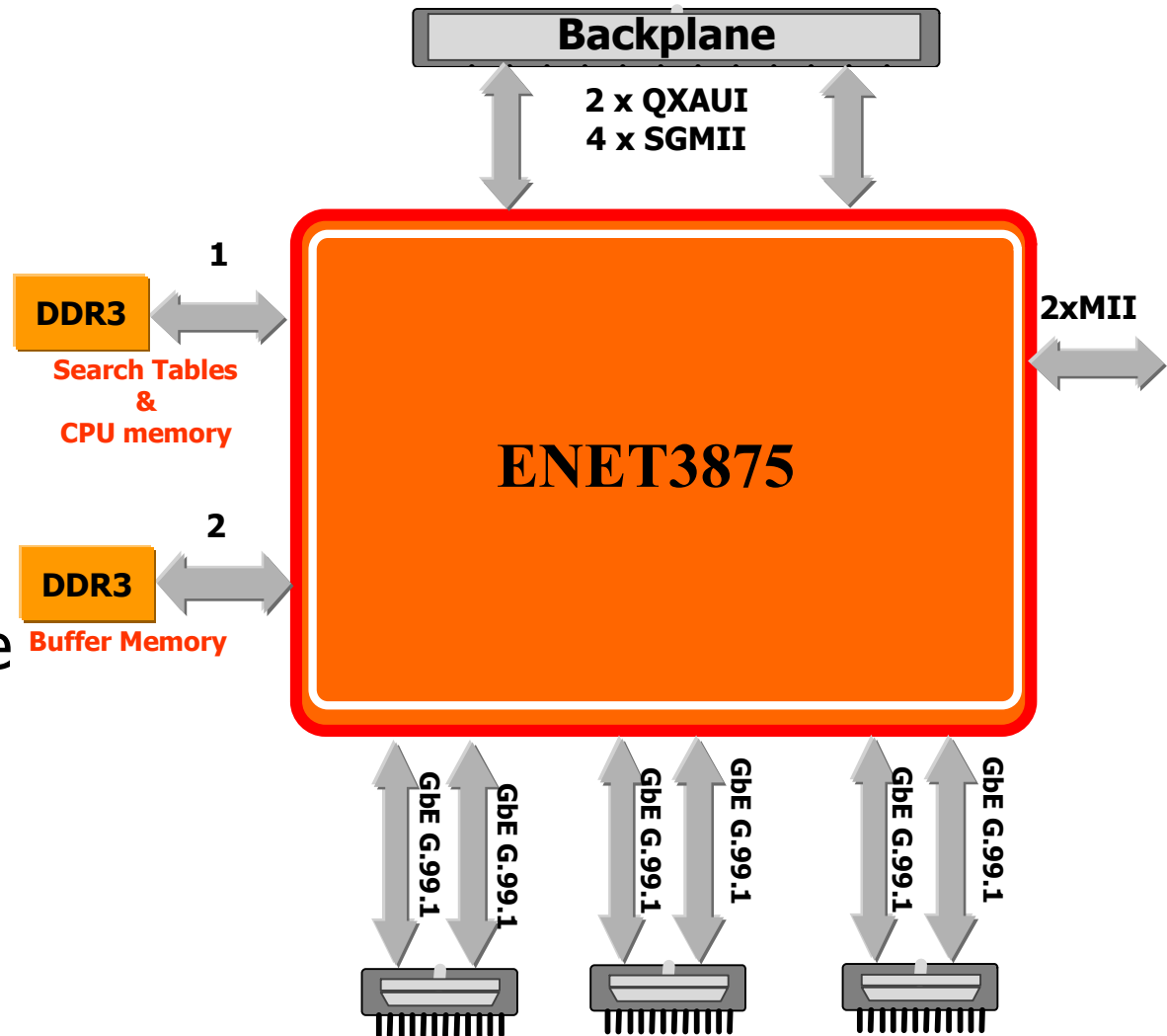


Supports:

- TR-101
- Ethernet Bonding
- ATM & IP encapsulation
- G.999.1 channelized Ethernet interface

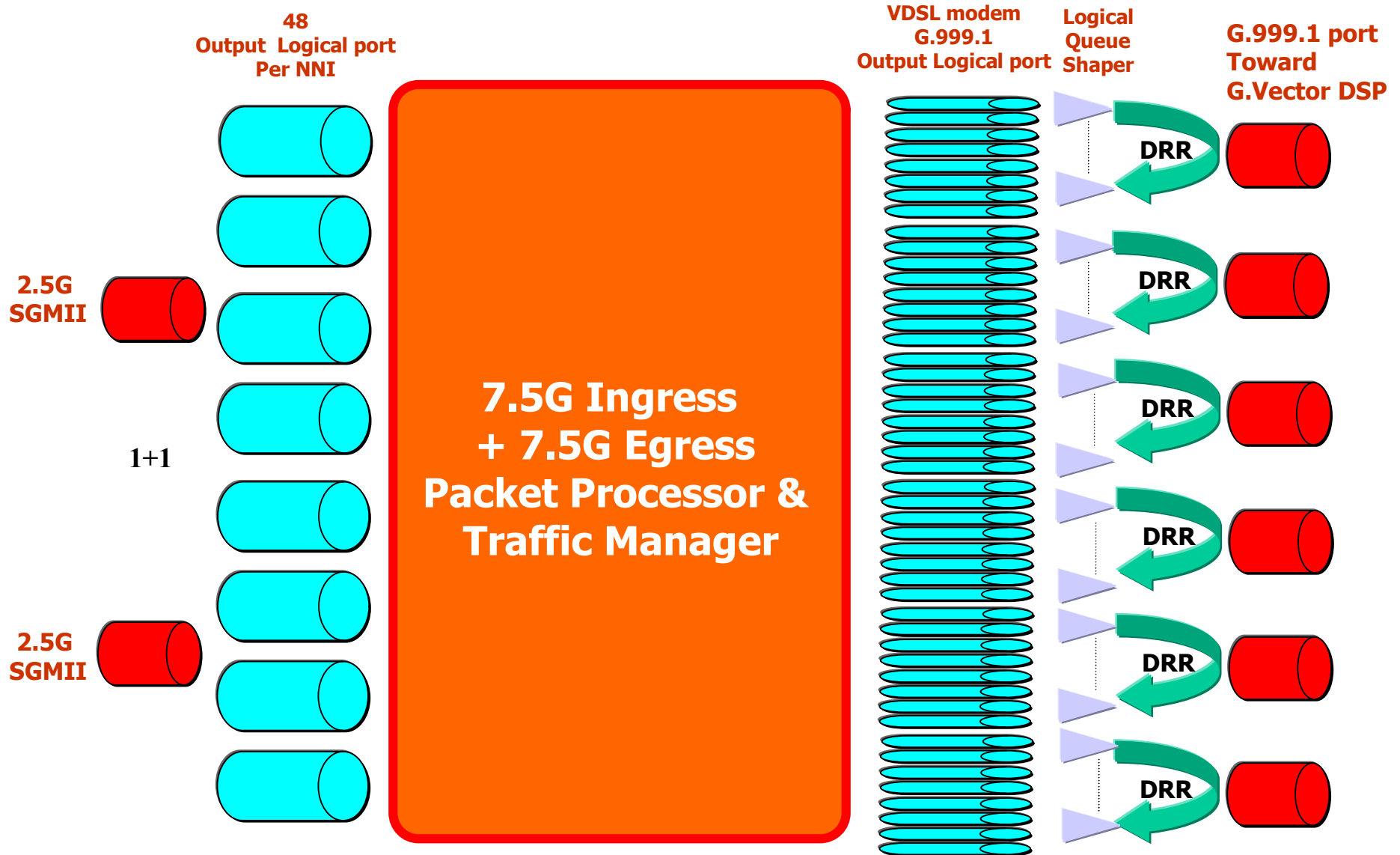
Direct Backplane connectivity:

- SGMII
- XAUI



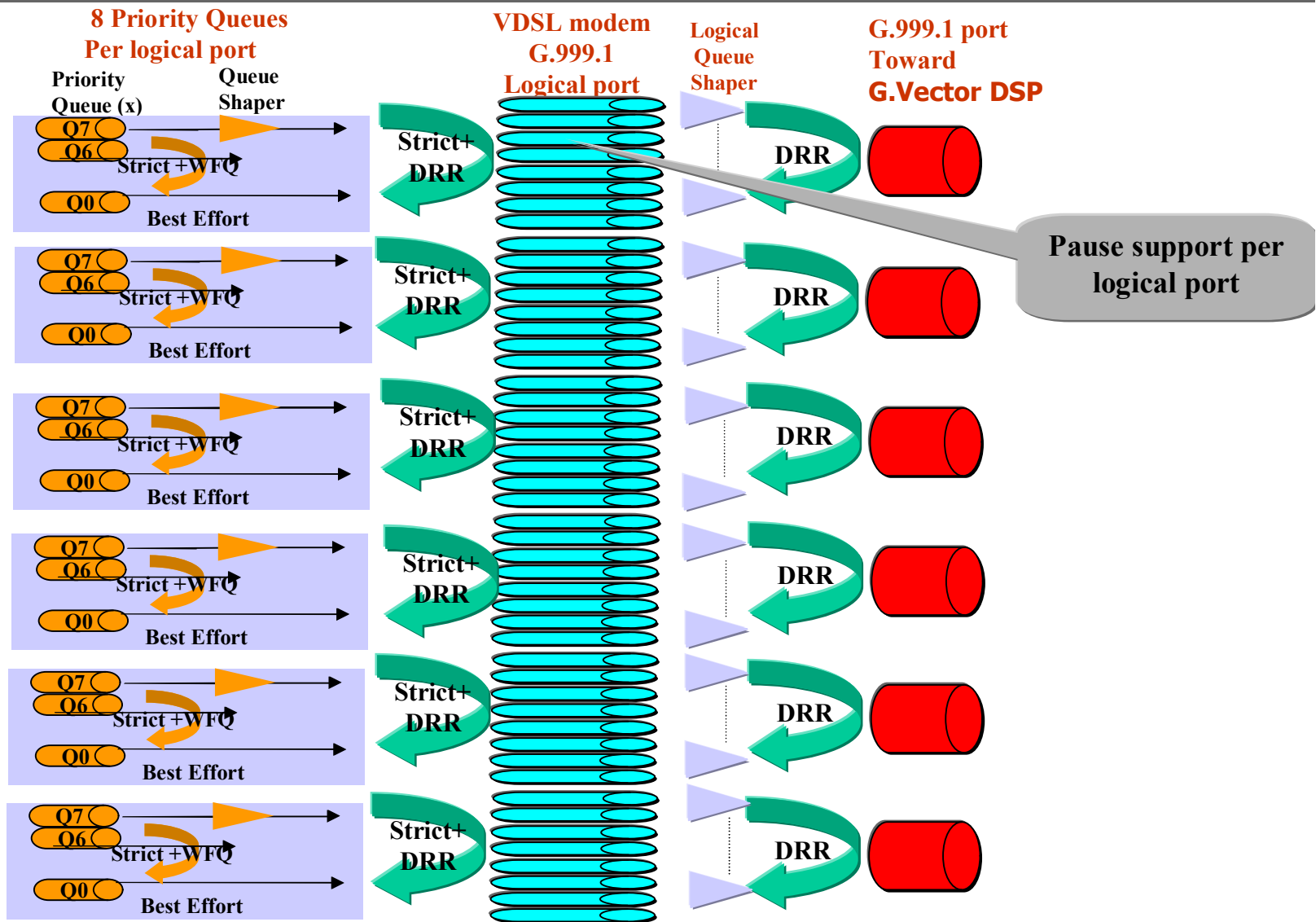
ENET3875

6 x G.999.1 to 2 x 2.5G



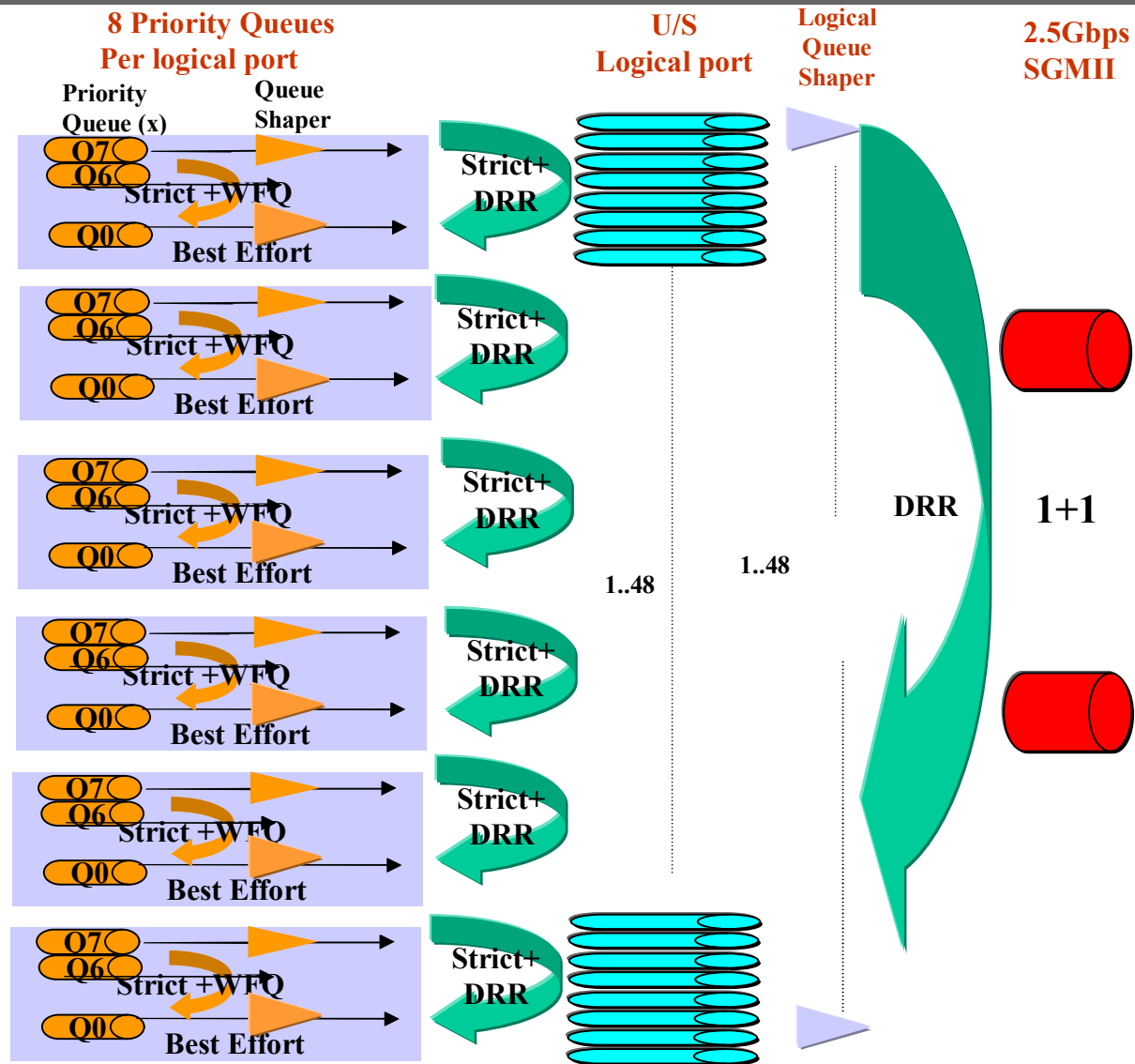
ENET3875

UNI Ports and Logical Ports – D/S



ENET3875

NNI Ports and Logical Ports – U/S



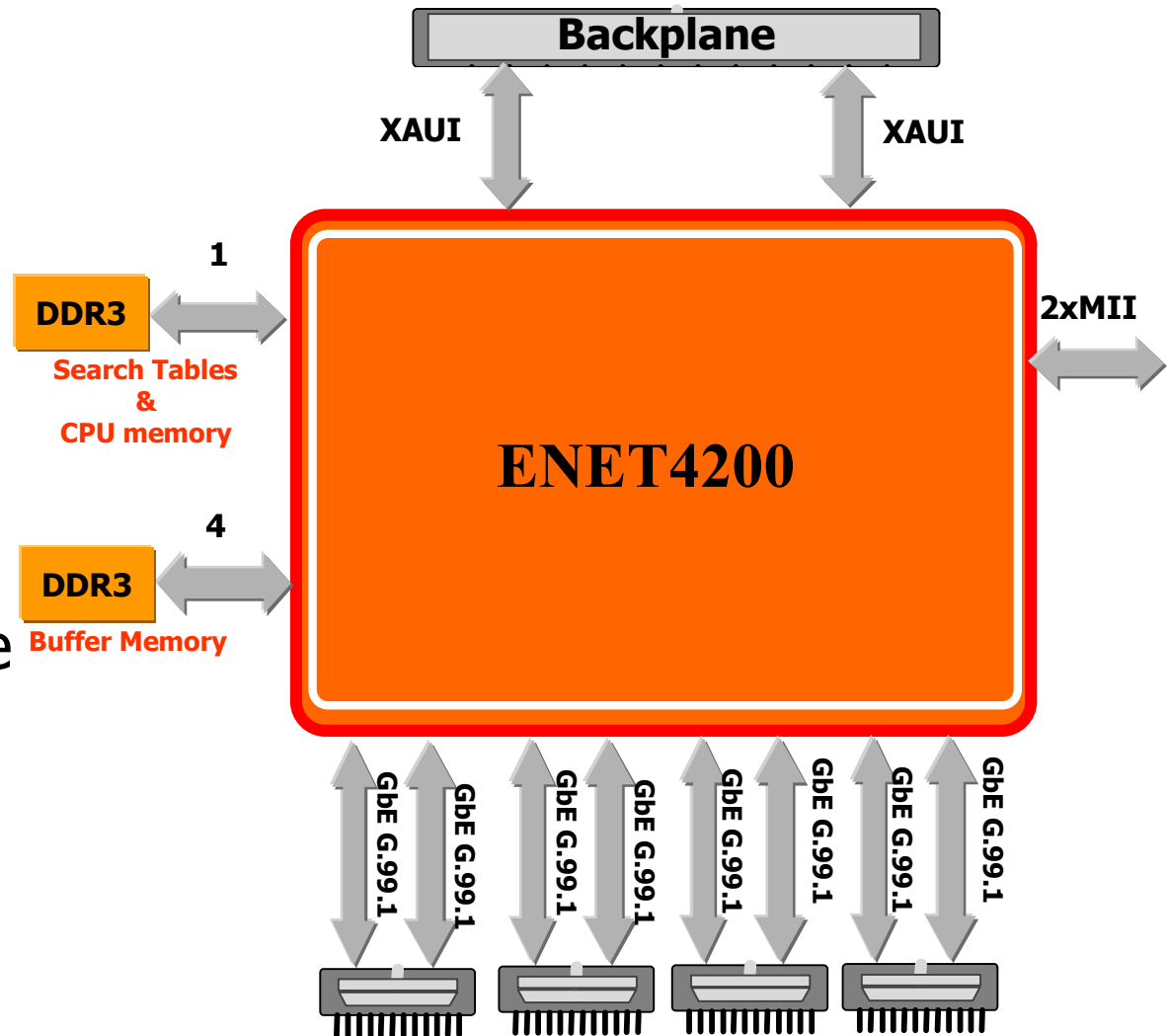
64 - VDSL Ports Line Card to 10G G.999.1 Channelized Ethernet

Supports:

- TR-101
- Ethernet Bonding
- ATM & IP encapsulation
- G.999.1 channelized Ethernet interface

Direct Backplane connectivity:

- SGMII
- XAUI



ENET4200

8 x G.999.1 to 10G

